

558 SERIES

Heavy-Duty Vertical Hold Down Clamps | Product Overview

Features:

- Forged alloy steel handle and links for rugged service
- Hardened steel pins and bushings
- Hold down bar can be machined to suit application requirements

Applications:

- Welding
- Heavy duty clamping requirements

Also Available:

Model 858 Pneumatic Toggle clamp
See page MC-PTC-17

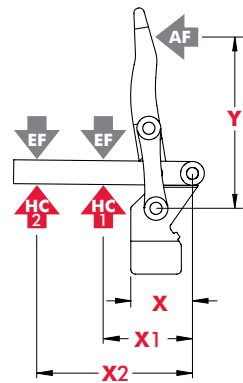
558



Technical Information

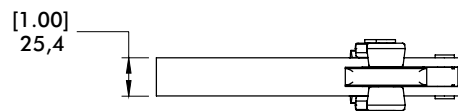
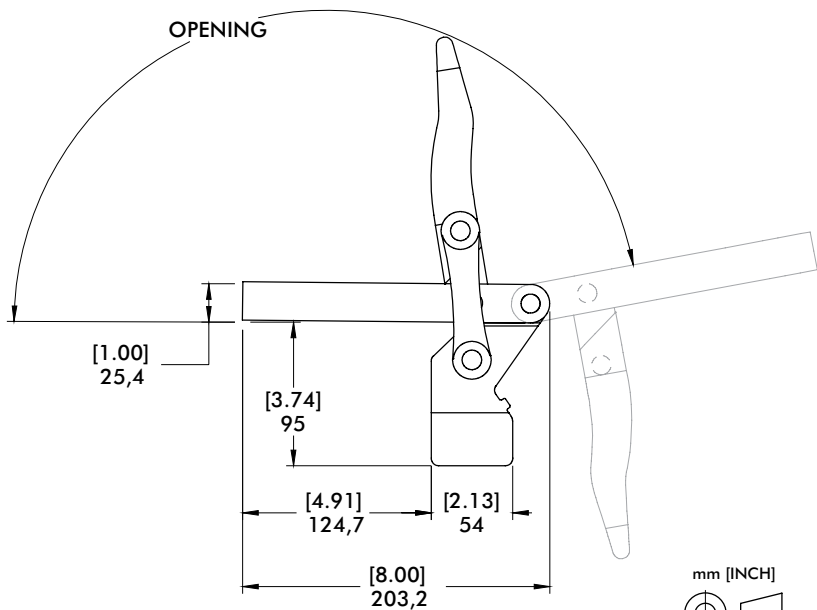
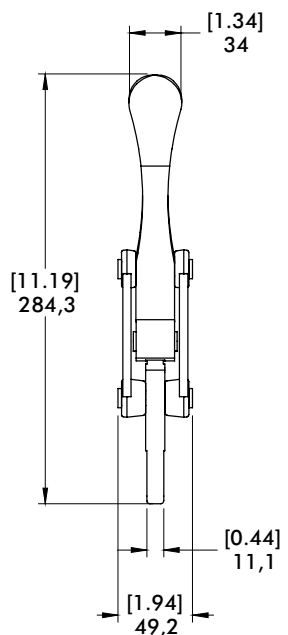
Model	Max. Holding Capacity	Clamp Bar Opening (+10°)	Handle Opening (+10°)	Weight
558	11100 N [2500 lbf]	192°	64°	2,27kg [5.0lbs]

Holding Capacities | Dimensions



Model	X	X1	±HC1	±HC2
558	65,8 [2.59]	76,2 [3.00]	[2500 lbf] 11100 N	[1500 lbf] 6680 N

Dimensions shown "mm [inch]", ± HC = Holding Capacity



mm [INCH]
THIRD ANGLE PROJECTION